

# GENERAL NOTICE UVPUR360

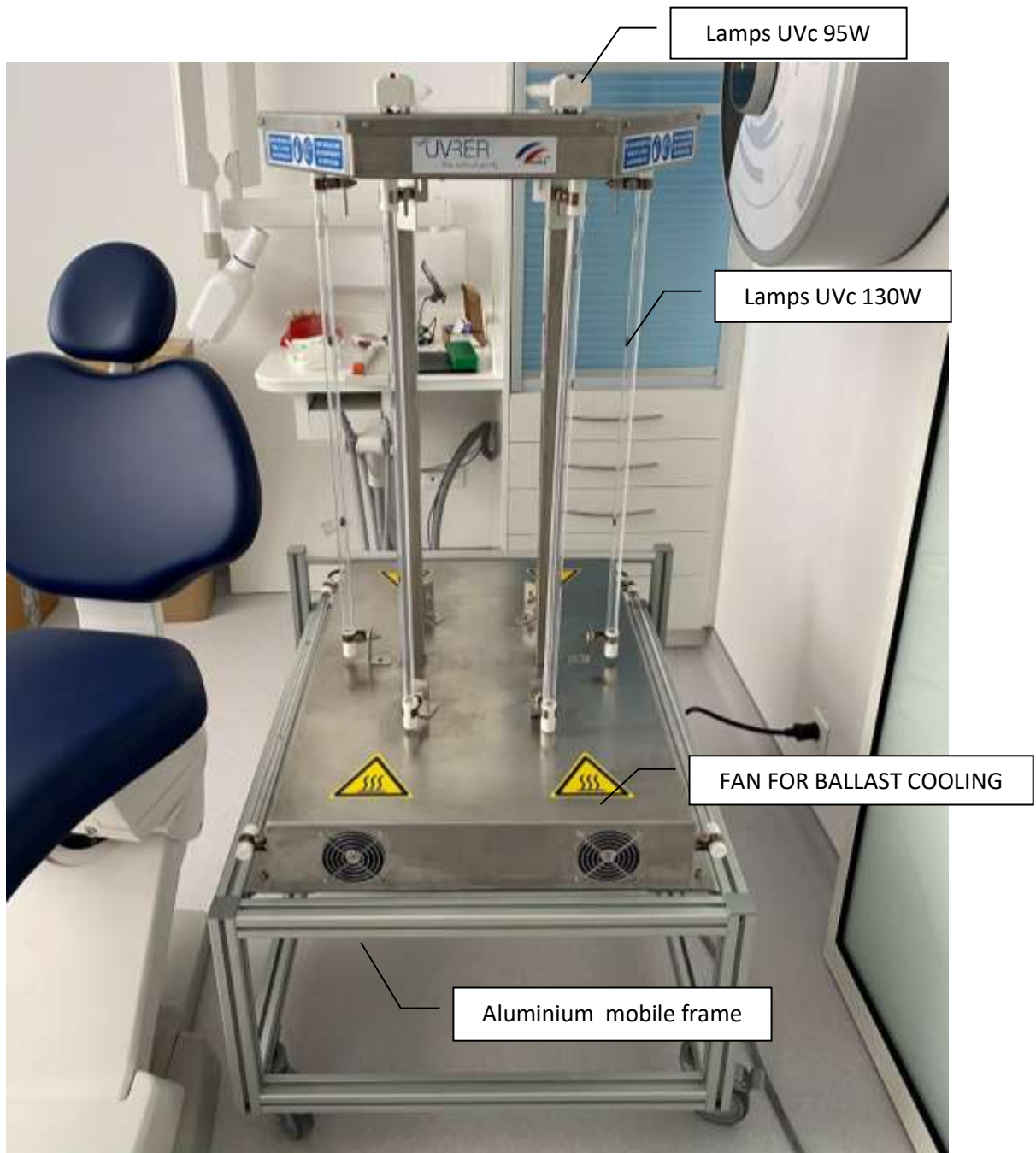
## MOBILE DISINFECTION UNIT UVC



# Table of content

<b>1</b>	<b>INTRODUCTION, MACHINE IDENTIFICATION .....</b>	<b>3</b>
<b>2</b>	<b>ESSENTIAL SAFETY REQUIREMENTS.....</b>	<b>4</b>
2.1	GENERAL SAFETY INSTRUCTIONS .....	4
2.2	SAFETY INSTRUCTIONS FOR CONTROLS .....	4
2.3	SAFETY INSTRUCTIONS AGAINST POSSIBLE RISKS RELATED TO UVC .....	4
2.4	SAFETY INSTRUCTIONS REQUIRED FOR GUARDS AND SAFETY DEVICES.....	5
2.5	SAFETY INSTRUCTIONS FOR PROTECTIVE MEASURES AGAINST OTHER RISKS .....	5
2.6	SAFETY INSTRUCTIONS FOR MAINTENANCE OF THE MACHINE .....	6
2.7	USERS SAFETY INSTRUCTIONS .....	6
<b>3</b>	<b>DEVICE DESCRIPTION .....</b>	<b>7</b>
3.1	GENERAL INFORMATION.....	7
3.2	SHORT DESCRIPTION OF THE DEVICE .....	7
3.2.1	<i>Technical Data</i> .....	7
3.2.2	<i>Preamble</i> .....	7
3.2.3	<i>Incorporation</i> .....	7
3.3	MAINTENANCE INSTRUCTION .....	7
<b>4</b>	<b>USE.....</b>	<b>8</b>
4.1	COFFRET DE COMMANDE.....	8
4.2	STARTING UP THE UNIT .....	9
4.3	TREATMENT ZONE .....	10
<b>5</b>	<b>SPARE PARTS.....</b>	<b>11</b>
5.1	CONTROL PANEL.....	11
5.2	UVC LAMPS .....	12
<b>6</b>	<b>MAINTENANCE.....</b>	<b>13</b>
6.1	REPLACEMENT FOR LAMPS 130W .....	13
6.2	REPLACEMENT FOR LAMPS 95W .....	14
<b>7</b>	<b>ELECTRICAL DIAGRAM .....</b>	<b>15</b>

# 1 INTRODUCTION, MACHINE IDENTIFICATION



## 2 ESSENTIAL SAFETY REQUIREMENTS

### 2.1 General safety instructions

This manual describes the precautions that must be taken to ensure the safe operation of the equipment. Do not operate the equipment until you have properly understood these precautions, which should be observed for operating methods and conditions.

**During daily operation, the operator will therefore be required to pay particular attention to his own safety and to observe the precautions described below. Before operating the equipment, read the general instruction manual and the user manual completely.**

**Always use the machine for the purpose for which it was designed.**



### 2.2 SAFETY INSTRUCTIONS FOR CONTROLS

Never paint, modify, remove or damage the safety markings, open a door or a safety cover with the machine powered on; subjecting the equipment, or the electrical cabinet to severe shocks.

Before any manipulation of your new equipment, identify the location of all the controls and emergency stop button

### 2.3 SAFETY INSTRUCTIONS AGAINST POSSIBLE RISKS RELATED TO UVC

**This device contains multiple UV-C emitters, Do not operate the UV-C emitter when it is removed from the enclosure of the device. It is imperative to never expose your eyes and skin directly to UVC.**

**Wearing glasses and gloves is compulsory when using the machine.**

Do not Expose Skin  
and eyes to UVc rays



Protection equipment  
mandatory when using device

## 2.4 SAFETY INSTRUCTIONS REQUIRED FOR GUARDS AND SAFETY DEVICES

The machines are equipped with various safety devices to protect the operator and the equipment.

Safety equipment includes emergency stop buttons (Red on yellow background).

**Never invalidate their functions.**

Designation	Fonctions
Emergency stop	<p>The machine has an emergency stop located on the electrical box.</p> <p>If the emergency stop is activated, the area concerned is cut off from all sources of energy, regardless of the operating mode and the power supply is cut off.</p>

## 2.5 SAFETY INSTRUCTIONS FOR PROTECTIVE MEASURES AGAINST OTHER RISKS

Make sure that the workspace is clear for easy access to the machine and buttons, that the lighting of the activity area is sufficient without affecting the visibility of the indicators and the display.

The power cable upstream of the circuit breaker (if there is one) for connecting the machine must be of sufficient section in relation to the maximum consumption of the equipment.

Keep fire protection equipment near machines.

## **2.6 SAFETY INSTRUCTIONS FOR MAINTENANCE OF THE MACHINE**

Maintenance work on electrical or mechanical units must only be carried out by qualified and duly authorized personnel.

Failure to comply with maintenance instructions can cause degradation of machine performance and, if applicable, the functioning of safety systems and protectors.

Carry out frequent cleaning to avoid any malfunction related to maintenance.

## **2.7 USERS SAFETY INSTRUCTIONS**

Do not use the equipment after taking any medication, alcohol, or illegal substances which may cause drowsiness. The use of the machine is strongly not recommended for people prone to dizziness or fainting.

Wearing hearing protection becomes compulsory and necessary when the sound level is greater than 85 dB for more than 8 hours.

Remain vigilant about possible emissions of gases, dust and various types of radiation.

When a precinct is present, do not invalidate its security elements, which could result in the confinement of a person.

When changing operator, remember to indicate the current work situation to avoid any danger.

## 3 DEVICE DESCRIPTION

### 3.1 GENERAL INFORMATION

(See point 2-2 General safety instructions).

All documents delivered with the machine must be kept, they serve as instructions for use.

**Before using the machine, operators must undergo training  
in order not to use the machine in bad conditions.**

### 3.2 SHORT DESCRIPTION OF THE DEVICE

#### 3.2.1 *Technical Data*

<b>Power supply</b>	230V AC 50Hz
<b>Type</b>	8x130W + 2x95W
<b>Serial N°</b>	36/20/128268
<b>Power</b>	Puissance totale = 1.29 kW
<b>Material</b>	Stainless steel 304L & Aluminium

#### 3.2.2 *Preamble*

When receiving the machine, read the attached instructions and keep the documents.  
Unpack the machine completely and, if necessary, clean the equipment. Make an inventory of the different parts of the machine.

#### 3.2.3 *Incorporation*

The certificate of incorporation issued with the equipment implies that it is dedicated exclusively to the disinfection of the various parts of the designed space its made for, and cannot operate independently or as part of another application.

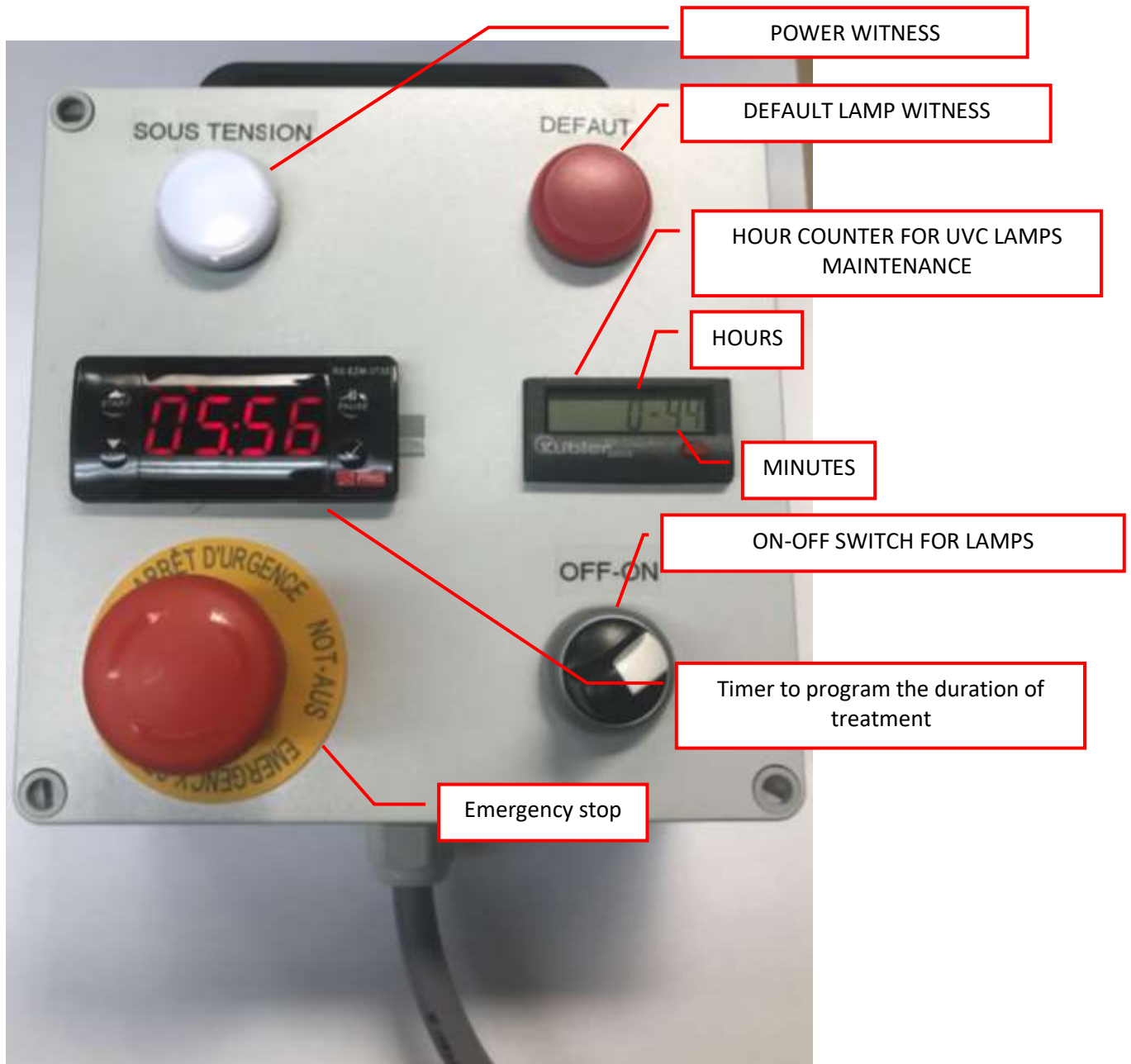
### 3.3 MAINTENANCE INSTRUCTION

Upkeep and maintenance are the responsibility of the user.

Refer to the maintenance sheets (present in this manual) to carry out maintenance, assembly, maintenance and checks on the elements present on the machine

## 4 USE

### 4.1 Coffret de commande





## 4.2 Starting up the unit

To start up the unit, ensure that the following conditions are met :

1. **No one should be present in the room during the treatment phase.**
2. **No object or element sensitive to heat must be near the lamps (distance <1m).**
3. **No person should be exposed to indirect radiation during the treatment phase.**
4. **Movement of the unit is not allowed during the treatment phase..**

When conditions are met, the unit can be started up.

1. Connect the unit's power supply to a wall outlet.
2. Position yourself so as not to receive radiation from the unit.
3. Make sure that the emergency stop button is not engaged.
4. The fans which are intended to cool the electrical part are activated.
5. Put the device in the ON position.
6. Press the START button to start the treatment, a countdown corresponding to the recommended treatment time is displayed. Once this count is over, the treatment is over and the lights go out.

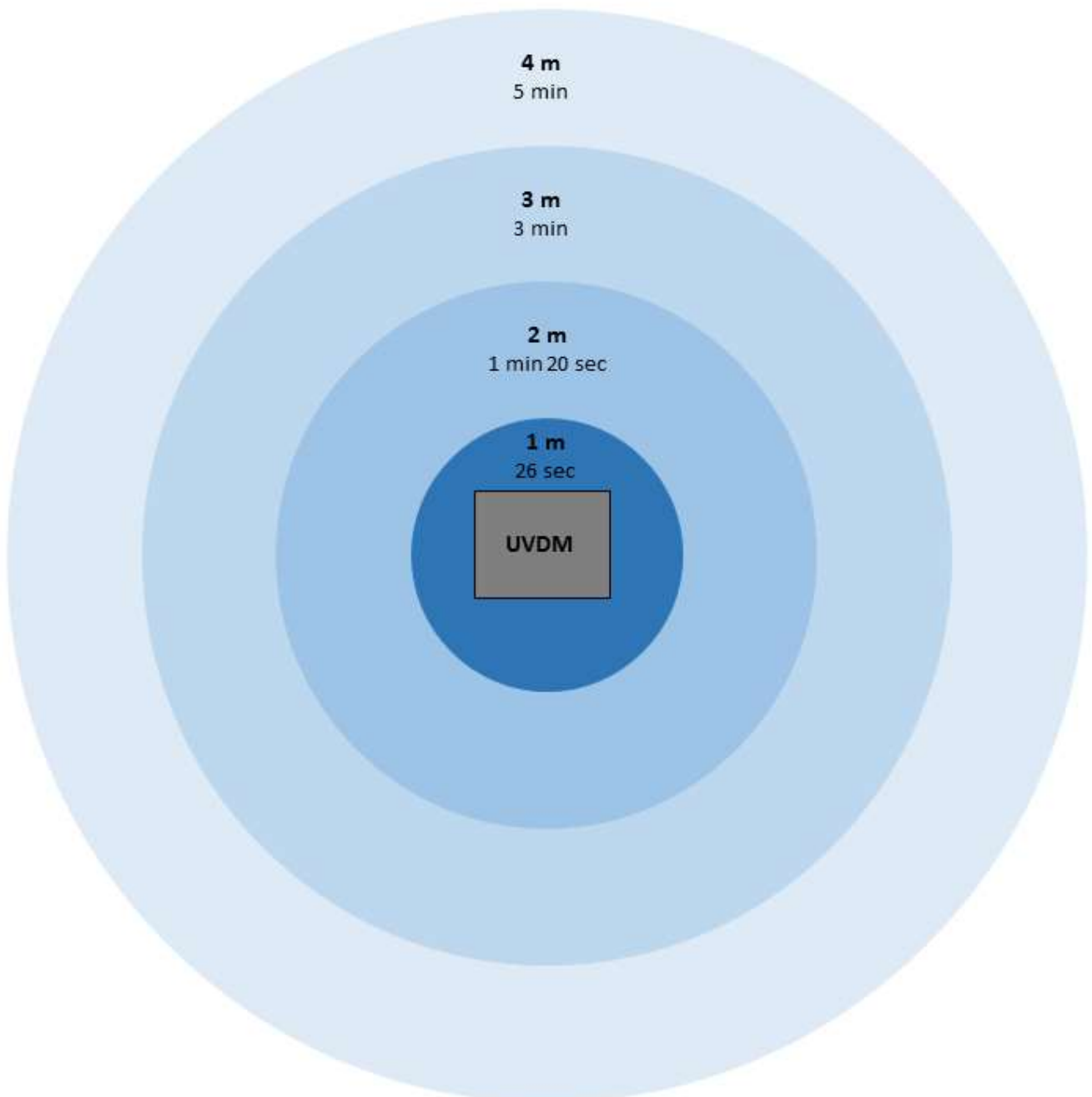


### 4.3 Treatment zone

To ensure optimal treatment, it is important to ensure that the entire room receives a sufficient UVc dose. The UVc dose depends on the duration of exposure and the distance at which the device is located.

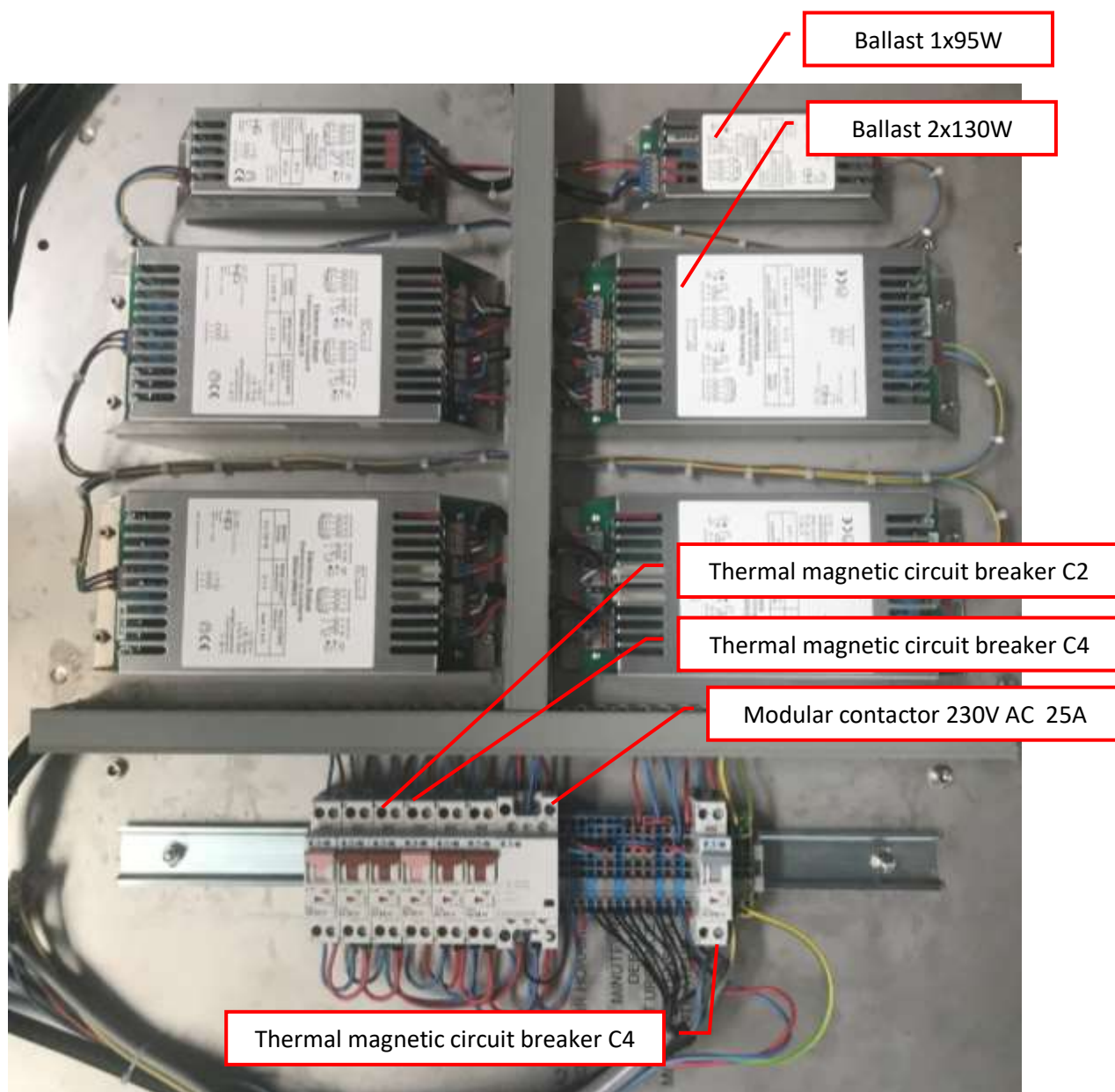
It should be taken into account that shadows may be present depending on the treatment area. It may be necessary to move the device around the room at the end of treatment (with the power off) to complete the multistage treatment.

**Irradiation time required to obtain a dose of 50 mJ / cm<sup>2</sup> :**



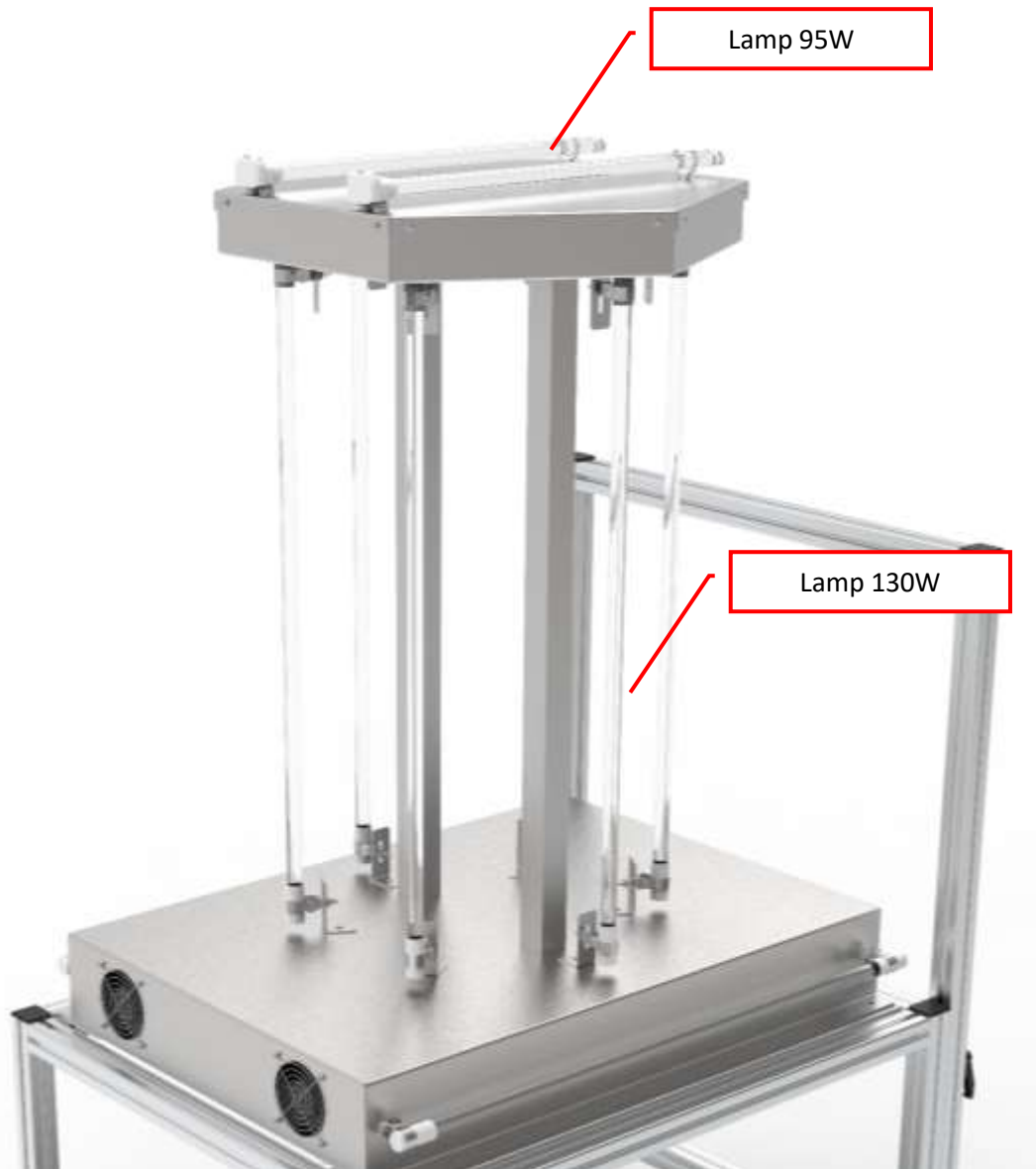
## 5 SPARE PARTS

### 5.1 CONTROL PANEL



Designation	Reference	Quantity
Ballast 1x95W	ref. 18BT95E	1
Ballast 2x130W	ref. 18BT230E	1
Modular contactor 230V AC 25A	Z-SCH230/25-40	1
Thermal magnetic circuit breaker C16	DISC16	1
Thermal magnetic circuit breaker C4	DISC4	4
Thermal magnetic circuit breaker C2	DISC2	2

## 5.2 UVC Lamps



Designation	Reference	Quantity
Lamp UVc 95W recouverte FEP	ref. GHOU22-36T5L/4	2
Lamp UVc 130W recouverte FEP	ref. GPHHA840T6L/4	8

## 6 Maintenance

**Note: Be sure to let the lamps cool down before replacing them.**



### 6.1 Replacement for lamps 130W

The bactericidal effect of 130W lamps decreases from 12,000 hours of operation, it is therefore imperative to replace the lamps, if they are exceeded you would expose yourself to a bacterial risk, the germicidal dose no longer being reached.

- 1) Switch off the device.
- 2) Remove the top cover to access the connectors.
- 3) Disconnect the lamp.
- 4) Unscrew the lamp fixing clamps.
- 5) Extract the lamp, keeping it in the axis.
- 6) Replace the new lamp then screw in the fixing clamps.
- 7) Connect the new lamp.
- 8) Reassemble the top cover.
- 9) Switch the device back on.



**Note: When replacing lamps, it is essential to use lamps of the same reference in order to guarantee optimum treatment..**



Ceramic connector

Fixing clamp

## 6.2 Replacement for lamps 95W

**The bactericidal effect of 95W lamps decreases from 9,000 hours of operation. It is therefore imperative to replace the lamps, if they are exceeded you would expose yourself to a bacterial risk, as the germicidal dose is no longer reached.**

- 1) Switch off the device.
- 2) Press the red button located on the socket to unlock the lamp.
- 3) Extract the lamp, keeping it in the axis.
- 4) Replace the new lamp with the same reference, making sure that it is against the socket.
- 5) Switch the device back on.

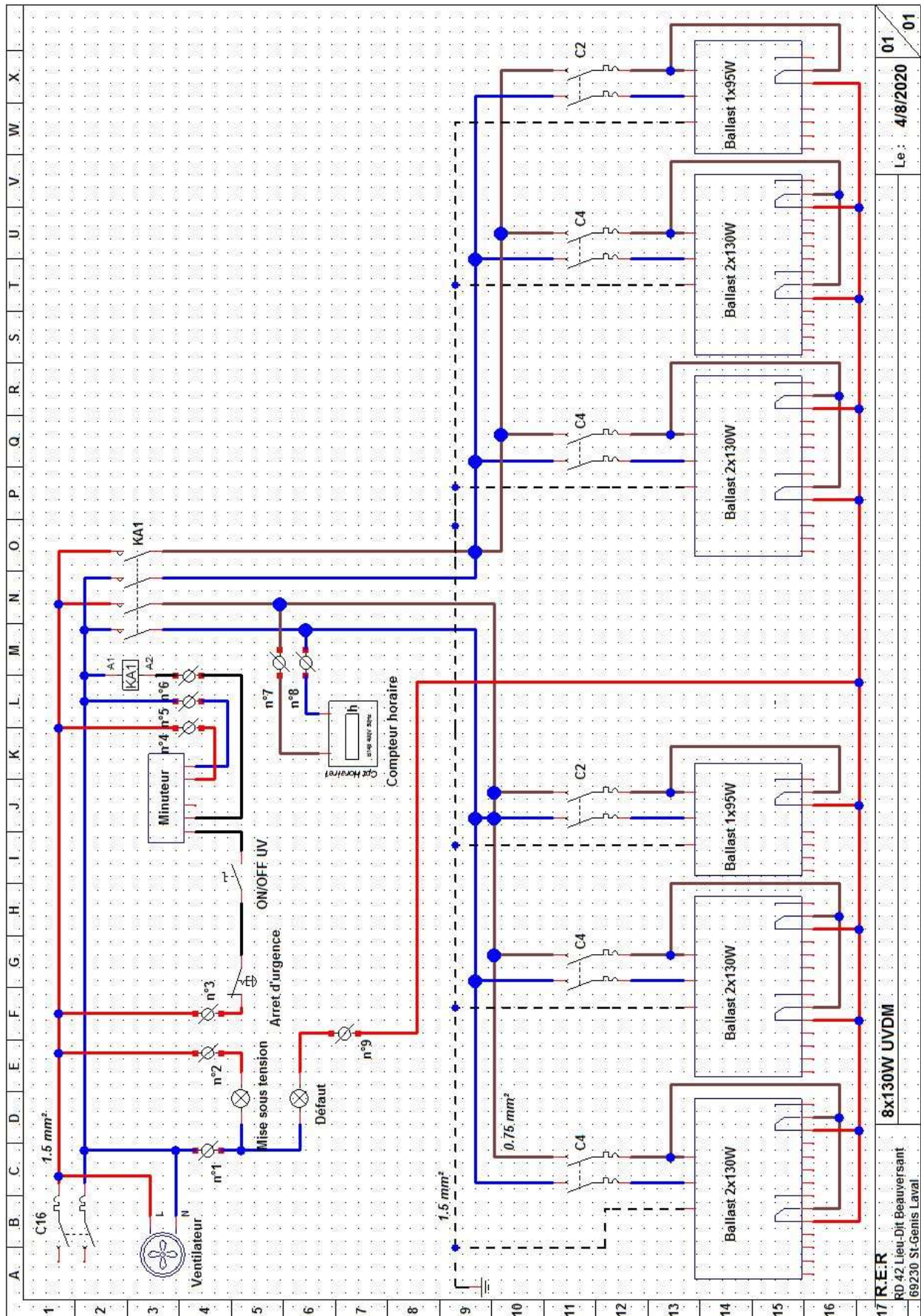


Unlocking button





# 7 Electrical Diagram



01  
 Le : 4/8/2020  
 17 RER  
 RD 42 Lieu-Dit Beauversant  
 69230 St-Genis Laval