

DESCRIPTION	GUVDT
Dimensions	1989x900x884
UVC Dose (at 5 cm distance)	
Speed	5 m/min
Average dose	92 mJ/cm ²
Power	
Ballast	Electronic
Electric consumption	410 Wh
Protection	Fuse
Power supply	220-230V AC -50Hz
Lamp UVC	
Lamp number	3
Lamp reference	Amalgam Lamp 130 W 0.5 M12 (TUV 130W XPT SE)
Germicidal power	48 W UVC
Lamp lifetime	12000 hours

SECURITY

- ❖ Do not put human being under operating UV-C tunnel
- ❖ Do not manipulate objects under an operating UVC tunnel, always turn it off before manipulating treated object
- ❖ Never expose your eyes directly to UVC at short distance, stay behind straps

- ❖ This device is not intended for use by persons (including children) whose physical, sensory or mental capabilities are reduced, or persons without experience or knowledge, unless they have benefited from the intermediary of a person responsible for their safety, surveillance or prior instructions concerning the use of the device.
- ❖ DO NOT let children play with the device
- ❖ This device incorporate a **UV-C transmitter**
- ❖ Unexpected use of the device or deterioration of its enclosure may lead to dangerous UV-C radiation leakage. UV-C radiation, even in small doses, can be dangerous to the eyes and skin.
- ❖ Devices that are obviously damaged should not be operated.
- ❖ Replacement of the UV-C transmitter is not authorized by the user.
- ❖ If a power cable is damaged it must be replaced only by the manufacturer to avoid any danger.

Only a professional can perform installation and maintenance of the device

PACKAGE CONTENT

This set includes :

- ❖ 1 UVC box on gallows equipped with 3 UVC lamps with CE marking
- ❖ 3 x 130W UV lamps and their connectors.
- ❖ 1 notice illustrated

GENERAL REMARKS

UV treatment can lead to different bactericide results depending on :

- * Bacteria types you encounter
- * Contact time between object and UVC lamps

* Distance from treated object

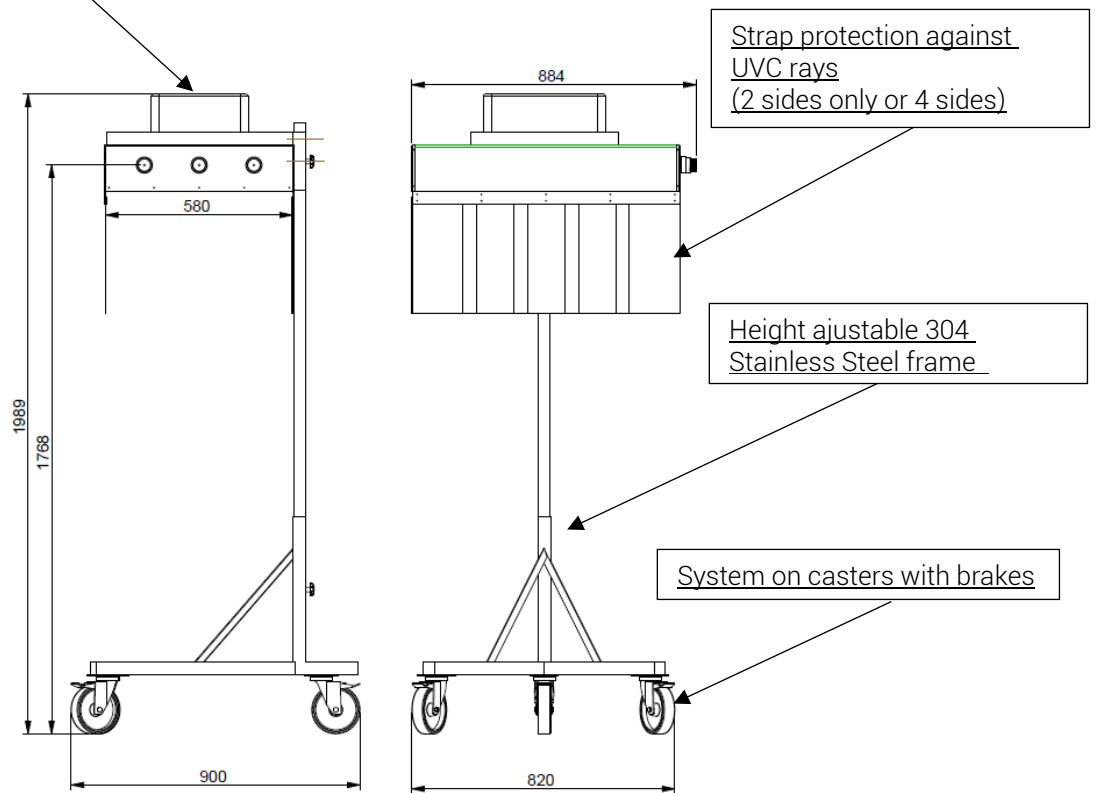
Therefore it is essential to analyze results according to the technical offer. That material has been made to answer specific needs and cannot be used for a different problematic. In case of doubt consult your supplier

INSTALLATION

This UVC tunnel is a plug and play technology. Position it first, plug it, and put the object you need to treat underneath, behind the straps.

TECHNICAL DESCRIPTION

- Electric box :
- Hour counter
 - On/ button
 - Electrical ballast
 - Green lamp witness
 - Default contact exit lamp



LAMP REPLACEMENT

- 1) Turn device off
- 2) Check that lamp witness is no longer lighted
- 3) Unplug electric connector
- 4) Unscrew **qcl ring**
- 5) Extract **UVc lamp** from chamber
- 6) Reposition new lamp in device
- 7) Screw again **qcl ring**
- 8) Check tightening
- 9) Turn device on again
- 10) Check lamp witness / bulb, if glowing everything went ok

TROUBLESHOOTING

- Lamps are not turning on / blinking : tighten the cable glands and / or check lamp connection.
- Lamp struggles to enter / breaks when mounting : check that lamp is well centered in the axis before tightening qcl gland.
- Lamp witness doesn't turn on : check that plate is well connected with 220-230V ; Check the fuse; Check lamp connection.

In case of difficulties contact your retailer

ATTENTION

**NEVER EXPOSE EYES DIRECTLY TO UVC BEAM
DO NOT TURN ON UVC LAMP OUT OF THE TUNNEL**

- *Directives 89/336/CEE
- * norme EN50081 ed.1993
- * norme EN55011 ed.1998
- * norme EN55015 ed.1996
- * norme EN 61000 ed.1993
- * norme EN 61547 ed.1995



GENERAL SECURITY

- ⇒ NEVER EXPOSE SKIN OR EYES DIRECTLY TO UVC
- ⇒ NEVER MAKE YOUR EQUIPMENT OPERATE WITHOUT STRAPS DOWN
- ⇒ NEVER MANIPULATE OBJECT UNDER THE TUNNEL WITHOUT COVERING SKIN