

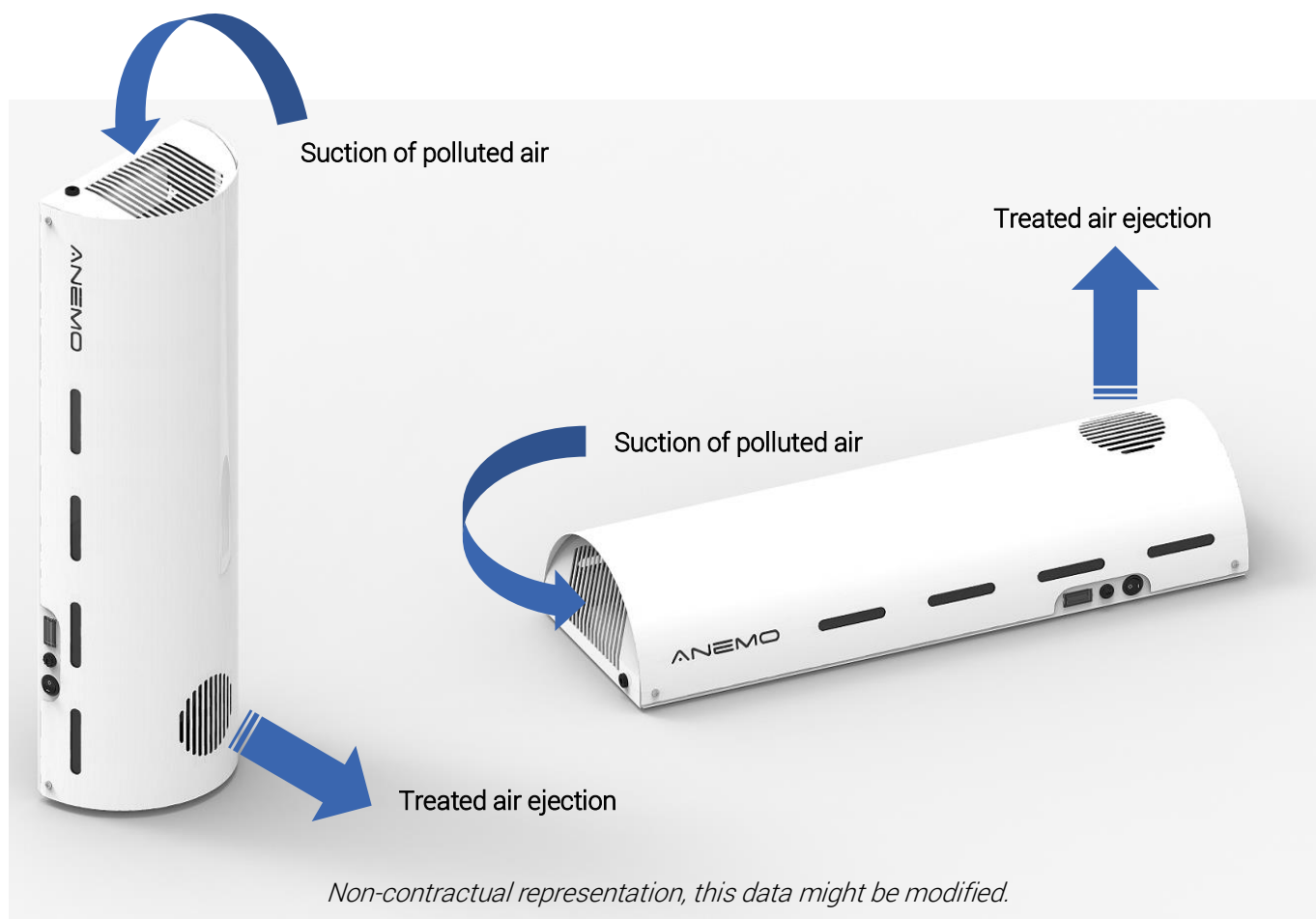
HEGOA 100

Datasheet

PRESENTATION :

HEGOA 100 is a system for air purification and deodorisation by 3 active technology filtration + ultraviolet + photocatalysis.

The HEGOA 100 can be positioned vertically (Flow input downwards, and electrical connection on the side and flow output upwards : standard mode) or horizontally (Flow input on the left lateral side and flow output upwards :



HEGOA 100

Datasheet



Non-contractual representation, this data is subject to change

Description	HEGOA 100
Weight	10 Kg
Dimensions	858x303x166

Ventilation	
Type	Suction
Average flow rate	100 m ³ /h
Noise (at 1m)	49.5 dB

Electrical power	
Ballast	Electronic
Electrical Drive Power consumption	100 Wh
Protection	Fuse 1 A
Power supply	220-230V AC -50Hz

UV-C lamp	
Number of lamps	1
Lamp reference	18LMCR95W
Germicidal Power	27 W UV-C
Lamp lifetime	9 000 hours

SECURITY

- ❖ **Do not operate the UV-C emitter when it is removed from the enclosure of the device**
- ❖ **Never expose your eyes directly to UV-C**

- ❖ This device is not intended for use by persons (including children) with reduced physical, sensory or mental capacities, or by persons without experience or knowledge, unless they have benefited from it, by the intermediary of a person responsible for their safety, surveillance or prior instructions concerning the use of the device.
- ❖ This device contains a **UV-C lamp, it contains mercury be careful when handling.**
- ❖ Unintended use of the device or damage to its casing may cause leakage of dangerous UV-C radiation. UV-C radiation, even in small doses, can be harmful to the eyes and skin.
- ❖ Devices which are obviously damaged must not be put into operation.
- ❖ Never open or move the device in operation.
- ❖ To prevent any electrical risk, it is essential to disconnect the device from the electrical supply before any manipulation, even to simply move the device.
- ❖ Do not leave fingerprints on the lamp, or clean the lamp off with a soft cloth and alcoholic glass cleaner.
- ❖ Upstream electrical protection is essential if it does not already exist.
- ❖ This device is intended for use inside rooms, premises, closed rooms and which may not be subject to intrusions from the outside.
- ❖ When choosing where to place the appliance, make sure that nothing can cover or obstruct the air flow.
- ❖ In normal operation, the lamp heats up and can cause burns by contact.

The UVc lamp contains mercury vapors.

- It is essential to keep the lamp in its housing during installation or when the device cover is open.
- It is imperative to replace the filter sleeves if those have been pierced or torn during installation.
- In the event of a UV lamp breakage, the room must be ventilated sufficiently to evacuate traces of mercury vapor. Do not use a vacuum cleaner to clean up debris as this can help spread mercury vapors throughout the room in addition to contaminating the vacuum cleaner.

Only a professional can take care of the installation and maintenance of the device

HEGOA 100

Datasheet

1. Setting up the unit :

- 1) Unpack the device



- 2) Choose the place for the installation of the device with a 230V power outlet



- 3) After setting up the device, plug in and start it up



Starting up :

Position 0: stop

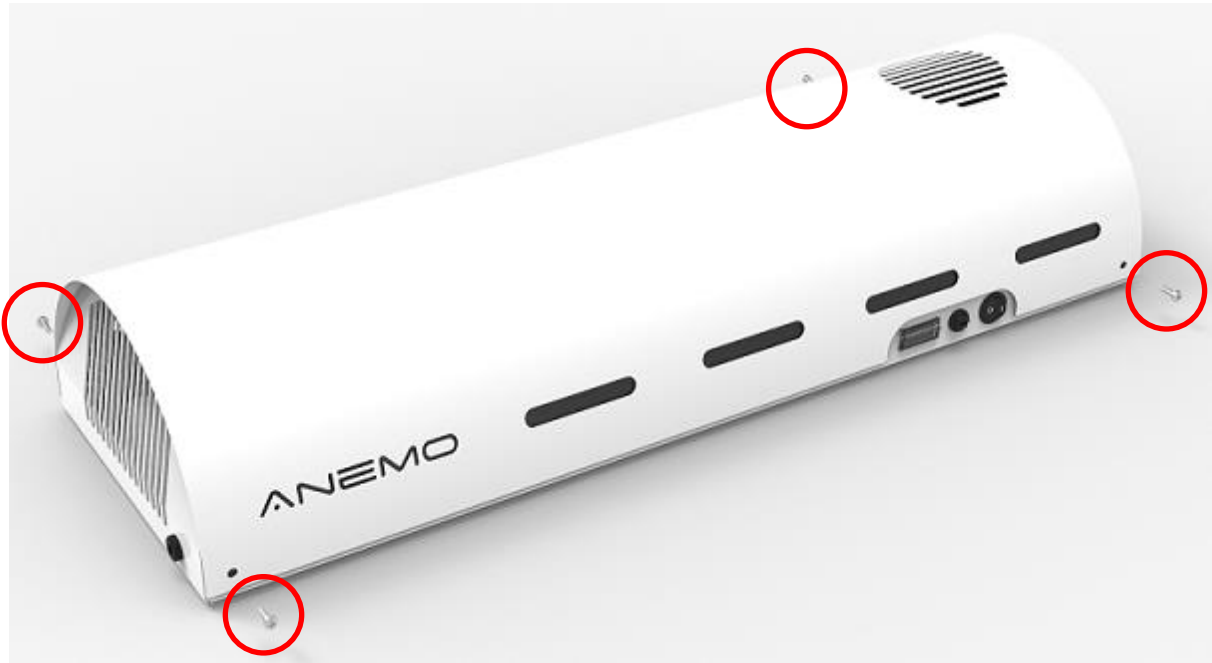
Position 1: max speed

(According to models 1 or 2 speeds)

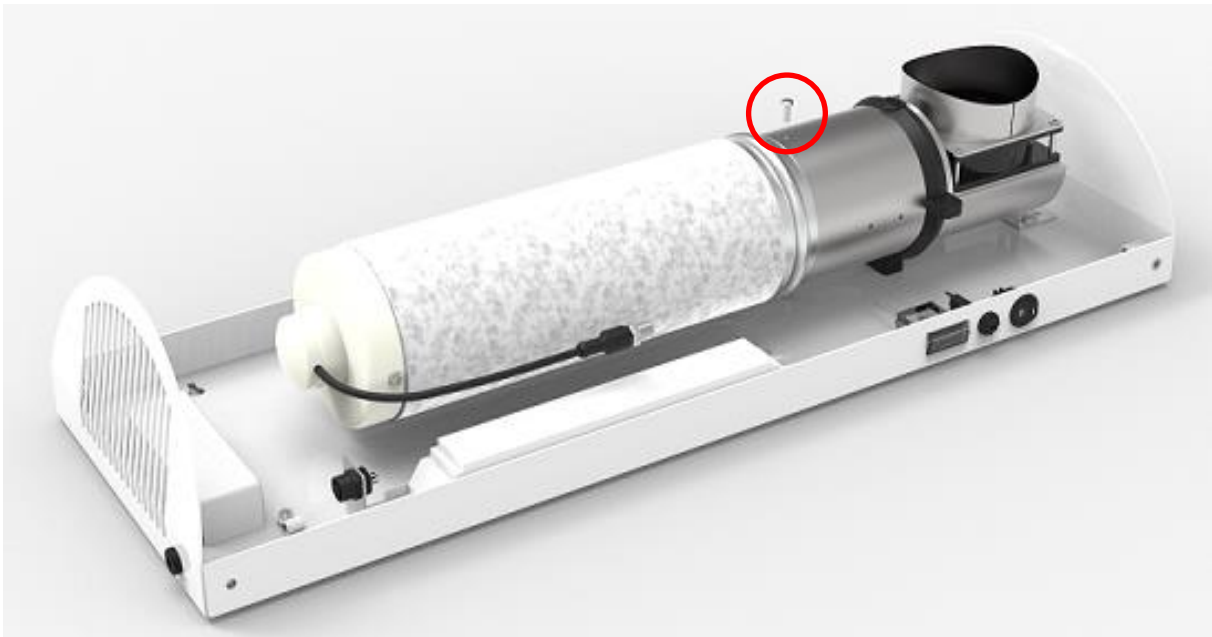


2. Device maintenance :

1 Unscrew the 4 screws to remove the cover and access the



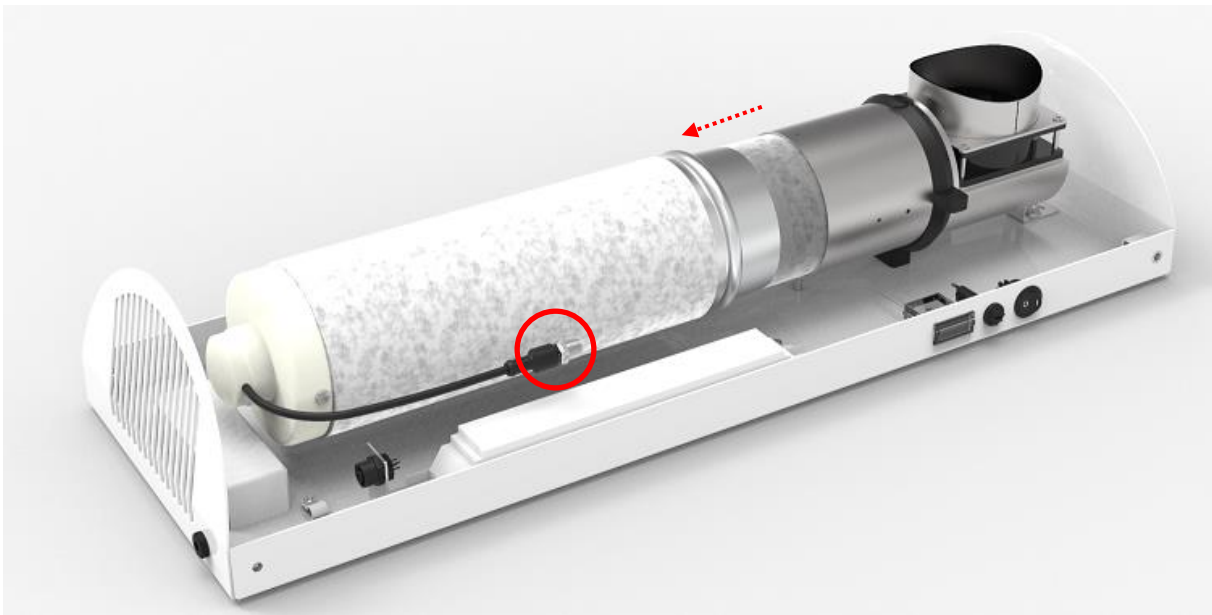
2 Open the collar then unscrew this screw to separate the rear part of the reactor.



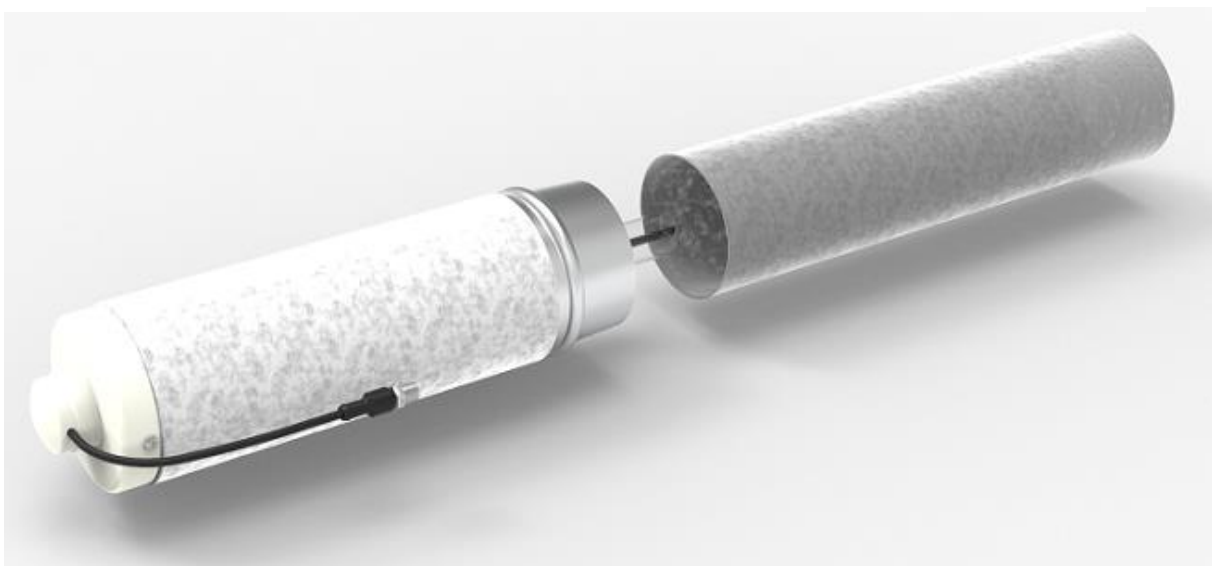
HEGOA 100

Datasheet

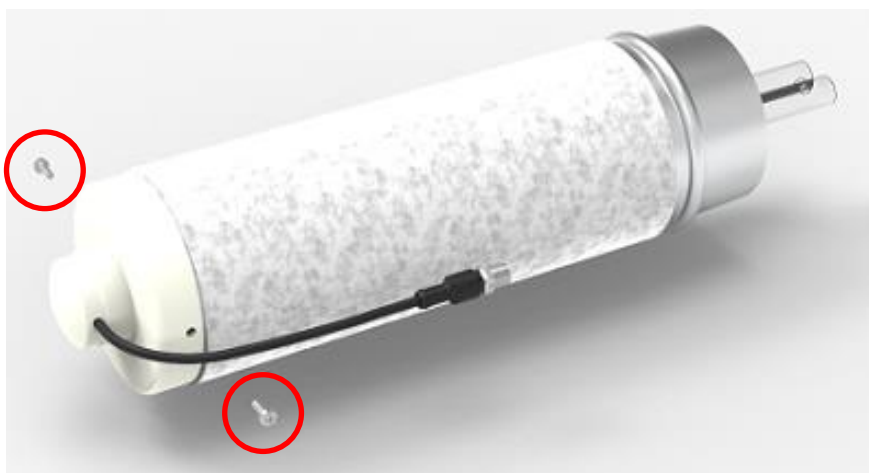
- 3 Disconnect the lamp then remove the moving part



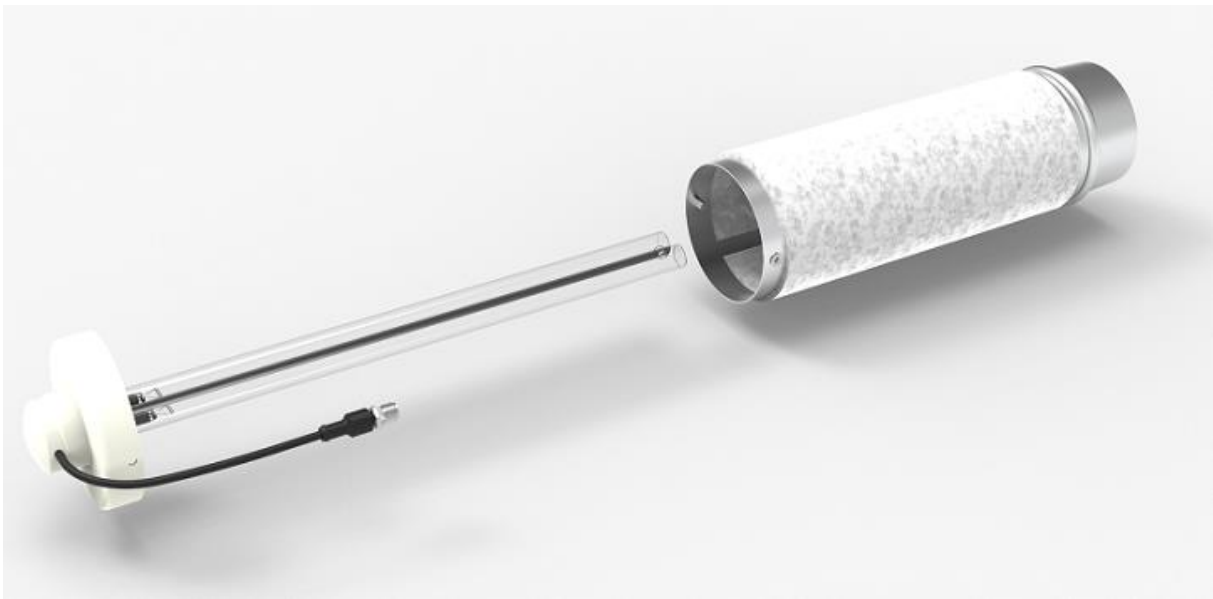
- 4 Extract the TiO₂ / activated carbon filter



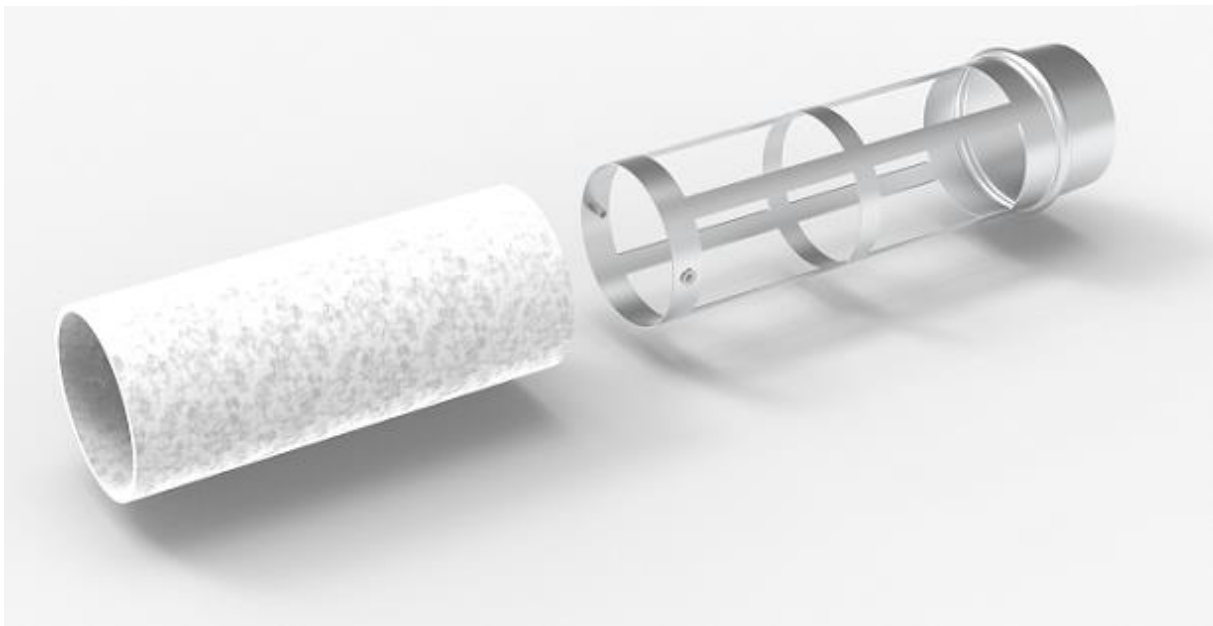
- 5 Unscrew the screws which allow the UVc lamp to be unlocked



6 Extract the lamp with care



7 Extract the G2 filter



3. Device maintenance:

The bactericidal effect of the lamps decreases from 9,000 hours of operation, it is therefore imperative to replace the lamp, if it is exceeded you would expose yourself to a bacterial risk.

- Change the **G2 filter** (if clogging).
- Change the **TiO2/activated carbon filter and G2 filter** once a year.
- Replace the UV lamp every year for permanent operation or every 2 years for alternate operation.

4. Troubleshooting:

For any malfunction, proceed as follows :



- Check the general condition of the device (search for traces of shock or intrusion of objects)
- Check the condition of the power cable (search for cuts, burns or other) and check the connection.
- Check the protection of the electrical line in the building cabinet, reset the device circuit breaker

The possible failures concern 2 parts of the device:

- The fan (This rotates at two speeds depends the version of the unit)
- The UVc lamp. Its condition is visible through the fan or through the white cup.

Troubleshooting	Causes	Solutions
Nothing works	No supply	Check the plug and the power cord
	Heating safety device activated	Switch off the unit, let it cool down and keep it away from any heat source
	Fuse holder unscrewed	Tighten the outer part of the fuse holder with a screwdriver
UV lamp doesn't light	Defective lamp connection	Check the connection of the lamp
	Defective lamp	Check the lamp wires connected to the ballast
	Defective ballast	Replace the electronic ballast

If the lamp is broken or at the end of its life, you must take it to a recycling company



If necessary, it is possible to watch one of our tutorial videos on YouTube via this QR Code:

